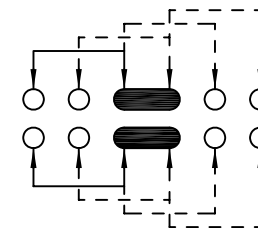
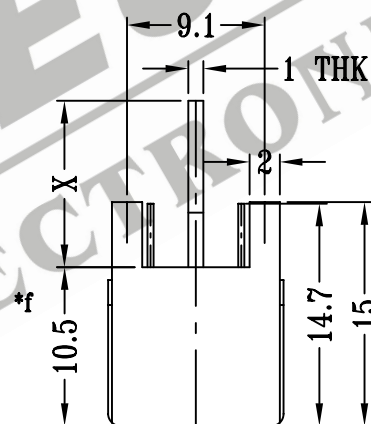
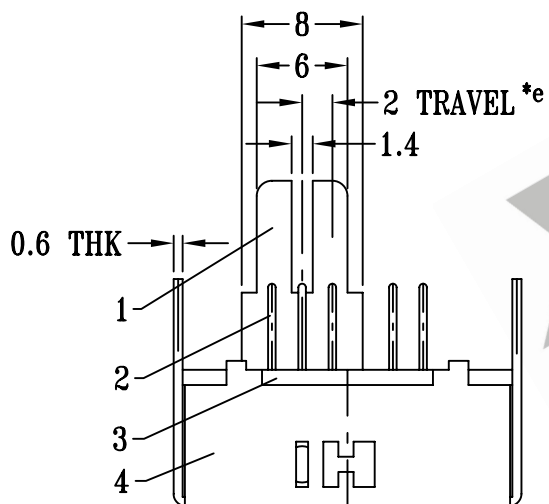
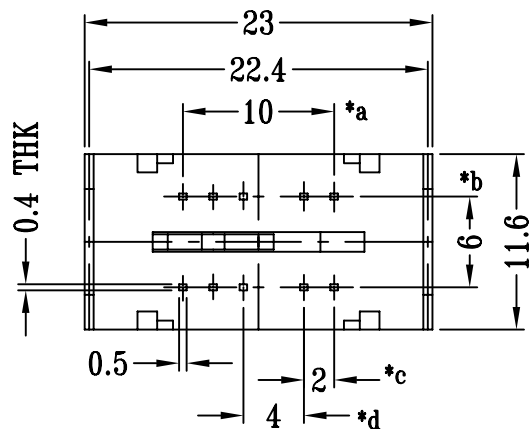
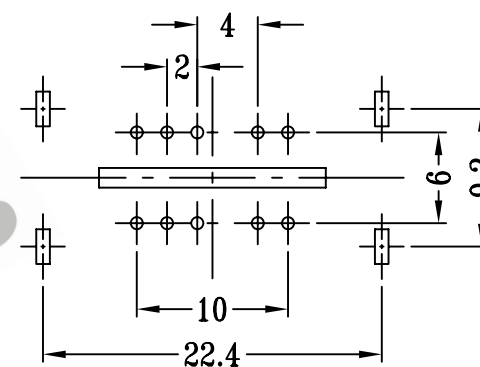


CAD FILE:



**SCHEMATIC (SHORTING)**



**P.C.B LAYOUT**

注:带"\*"表示关键尺寸(6个)

8	PRESS BAR	POM	1	BLACK	TOLERANCE UNLESS SPECIFIED	SHENZHEN XIEJIA ELECTRONICS CO.,LTD.				
7	STEEL BALL	STEEL	2	NATURAL						
6	SPRING	STEEL WIRE	1	TEMPER	WITHIN: 1.5±0.1mm	ISSUE	DATE	DESCRIPTIONS		APPD.
5	CONTACT CLIP	PBS STRIP	2	Ag PLATED	OVER : 1.5±0.2mm					
4	FRAME	STEEL STRIP	1	Ni PLATED	TITLE : BOTTOM SLIDE SWITCH		UNIT : MM	DRWG NO.: XJ-DR-BK24D01-00		
3	BASE	PHENOLIC RESIN	1	NATURAL	MODEL: BK-24D01		SCALE: 2:1	DWN.	ZHOUYU	2000-5-16
2	TERMINAL	BRASS STRIP	10	Ag PLATED OVER Ni PLATED	ALL MATERIALS MUST BE COMPLIANT TO ROHS			CHK'D	FANGYING	2000-5-16
1	STEEL KNOB	STEEL STRIP	1	Ni PLATED				APPD.	KANGXINAN	2000-5-16
NO.	PART NAME	MATERIAL	Q'TY	FINISHING						